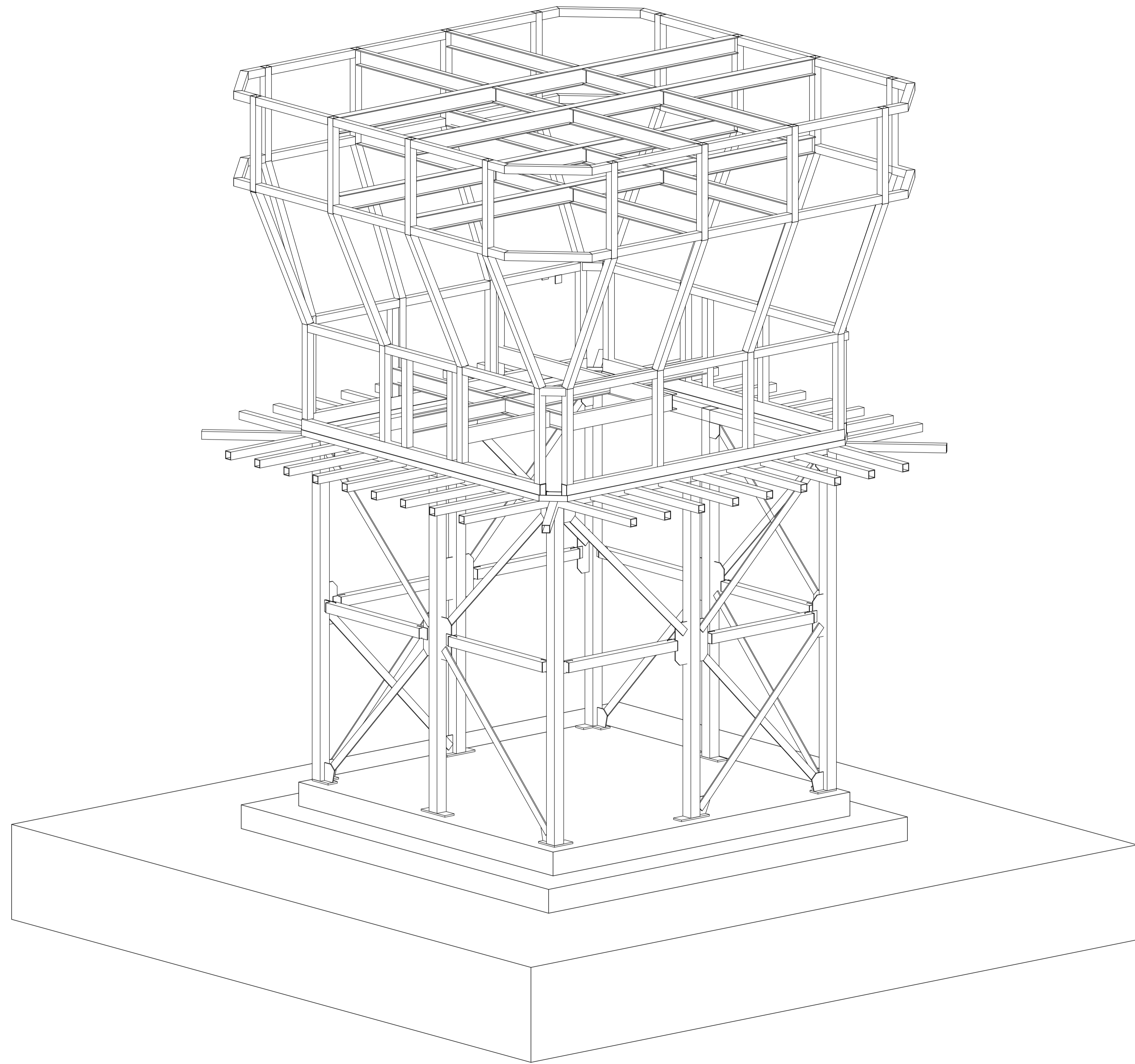


1 2 3 4 5 6 7 8 9 10 11 12

A
B
C
D
E
F
G
H



0 10 20 30 40 50 60 70 80 90 100mm

FOR INFORMATION ONLY

SILVESTER/CLARK
Wellington
Palmerston North

FOR BUILDING CONSENT

REV	DATE	AMENDMENTS	BY	APP'D
A	05/08/16	ISSUED FOR BUILDING CONSENT	AJU	IRPB

DRAWN	AJU	A1 SCALE:
DESIGNED	IRPB	N.T.S.
CHECKED	Checker	A3 SCALE:
APPROVED	IRPB	N.T.S.

ADarchitecture

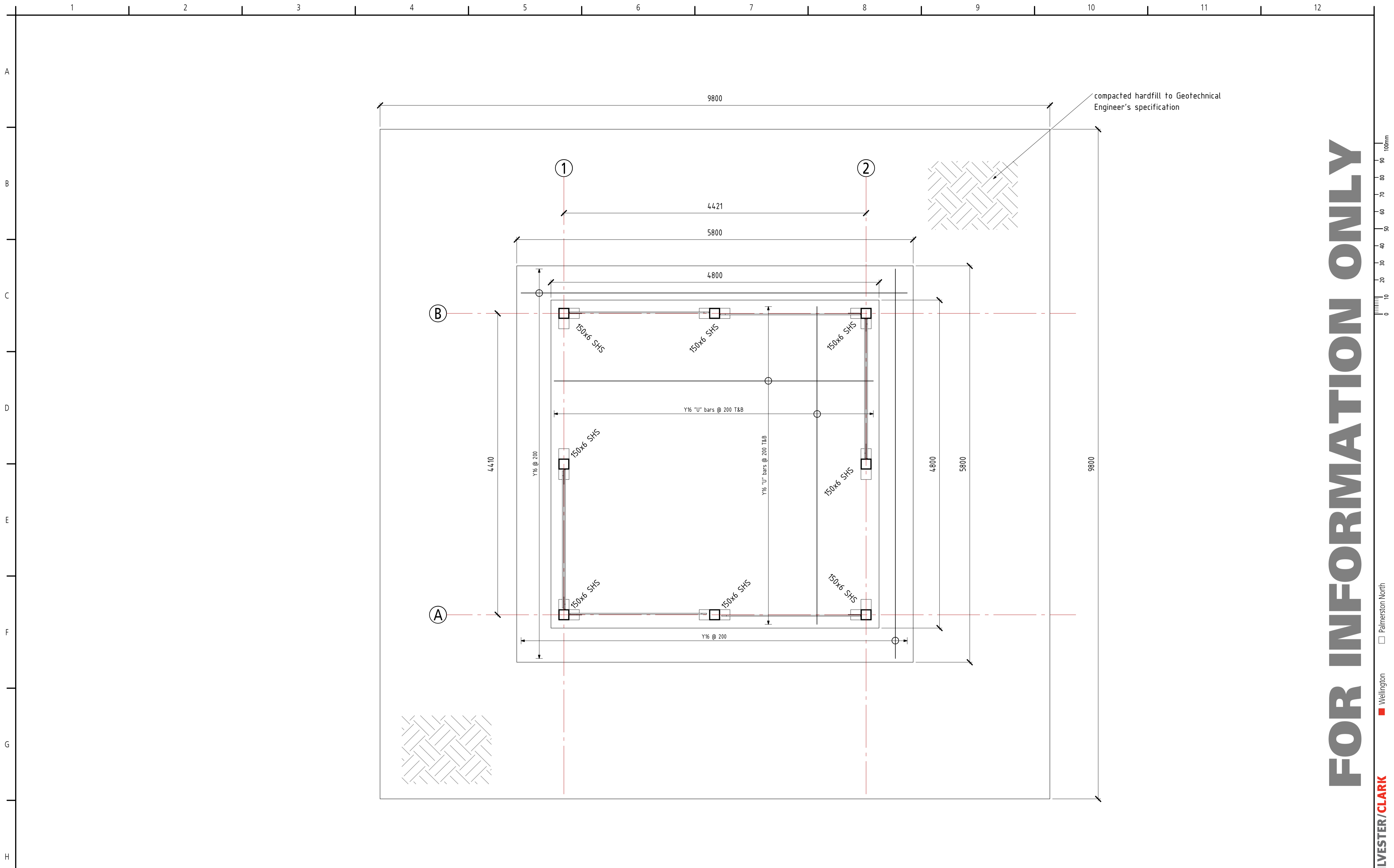


KAPITI COAST AIRPORT
PLACEMAKERS AND CONTROL
TOWER

CONTROL TOWER 3D VIEW

AS/NZS 9001 ACCREDITED

19440	S1-00	A
-------	-------	---



FOR INFORMATION ONLY

SILVESTER/CLARK ■ Wellington □ Palmerston North

FOR INFORMATION

REV	DATE	AMENDMENTS	BY	APP'D	APPROVED	IRPB
A	05/08/16	ISSUED FOR BUILDING CONSENT	AJU	IRPB	CHECKED	Checker
					DESIGNED	IRPB
					DRAWN	AJU

A1 SCALE:	1:25
A3 SCALE:	1:50

ADarchitecture

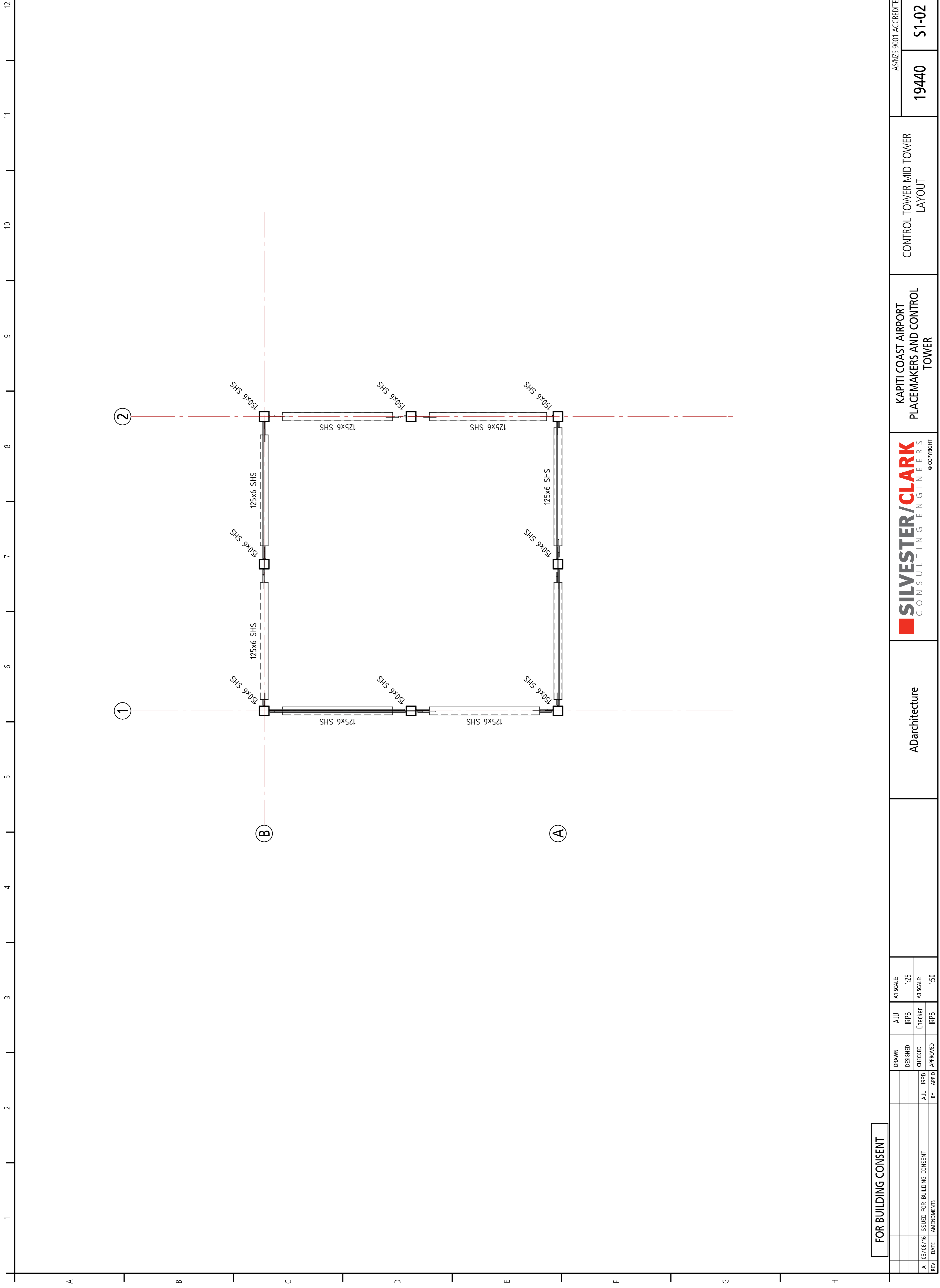
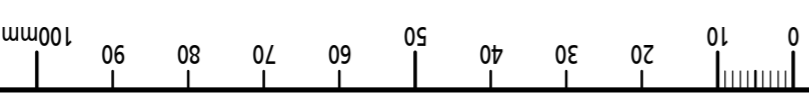


KAPITI COAST AIRPORT
PLACEMAKERS AND CONTROL
TOWER

CONTROL TOWER GROUND FLOOR

AS/NZS 9001 ACCREDITED		
19440	S1-01	A

FOR INFORMATION ONLY



FOR BUILDING CONSENT

REV	DATE	AMENDMENTS	BY	APTD
A	05/08/16	ISSUED FOR BUILDING CONSENT	AJU	IRPB

DRAWN	AJU	A1 SCALE:
DESIGNED	IRPB	1/25
CHECKED	Checker	A3 SCALE:
APPROVED	IRPB	1/50

Architecture



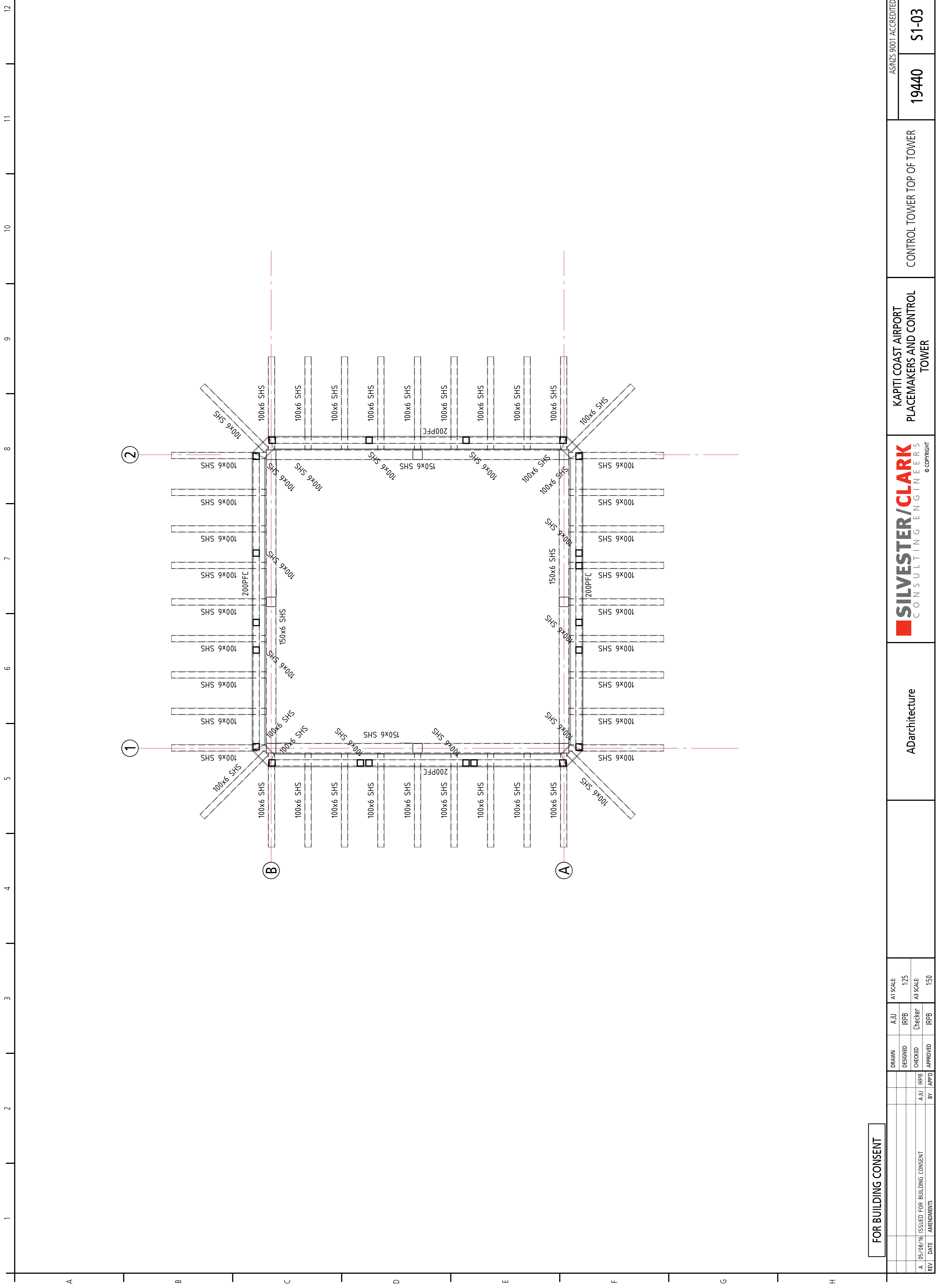
KAPITI COAST AIRPORT
PLACEMAKERS AND CONTROL
TOWER

CONTROL TOWER MID TOWER
LAYOUT

19440	S1-02	A
-------	-------	---

AS/NZS 9001 ACCREDITED

FOR INFORMATION ONLY



FOR BUILDING CONSENT

REV	DATE	ISSUED FOR BUILDING CONSENT	A	05/08/16	AJU	IRPB	BY	APTD
		AMENDMENTS						

DRAWN	AJU	A1 SCALE:
DESIGNED	IRPB	1/25
CHECKED	Checker	A3 SCALE:
APPROVED	IRPB	1/50

ADarchitecture



KAPITI COAST AIRPORT
PLACEMAKERS AND CONTROL
TOWER

CONTROL TOWER TOP OF TOWER

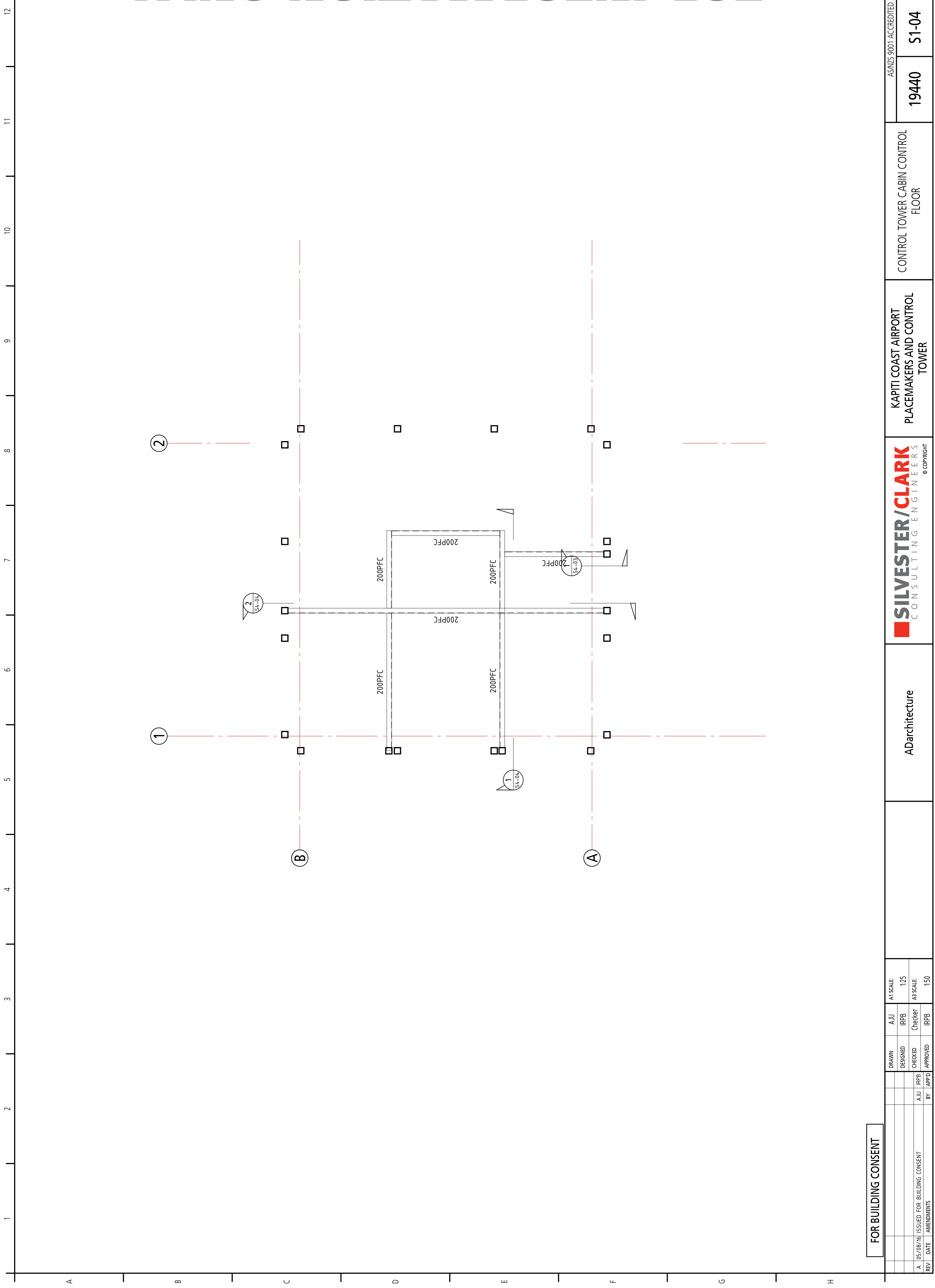
19440 S1-03 A

AS/NZS 9001 ACCREDITED

FOR INFORMATION ONLY

0 10 20 30 40 50 60 70 80 90 100mm

Palmerston North Wellington SILVESTER/CLARK



FOR BUILDING CONSENT

REV	DATE	ISSUED FOR BUILDING CONSENT	BY	APPTD
A	05/08/16	AMENDMENTS	AJU	IRPB

DRAWN	AJU	A1 SCALE:
DESIGNED	IRPB	1/25
CHECKED	Checked	A3 SCALE:
APPROVED	IRPB	1/50

ADarchitecture

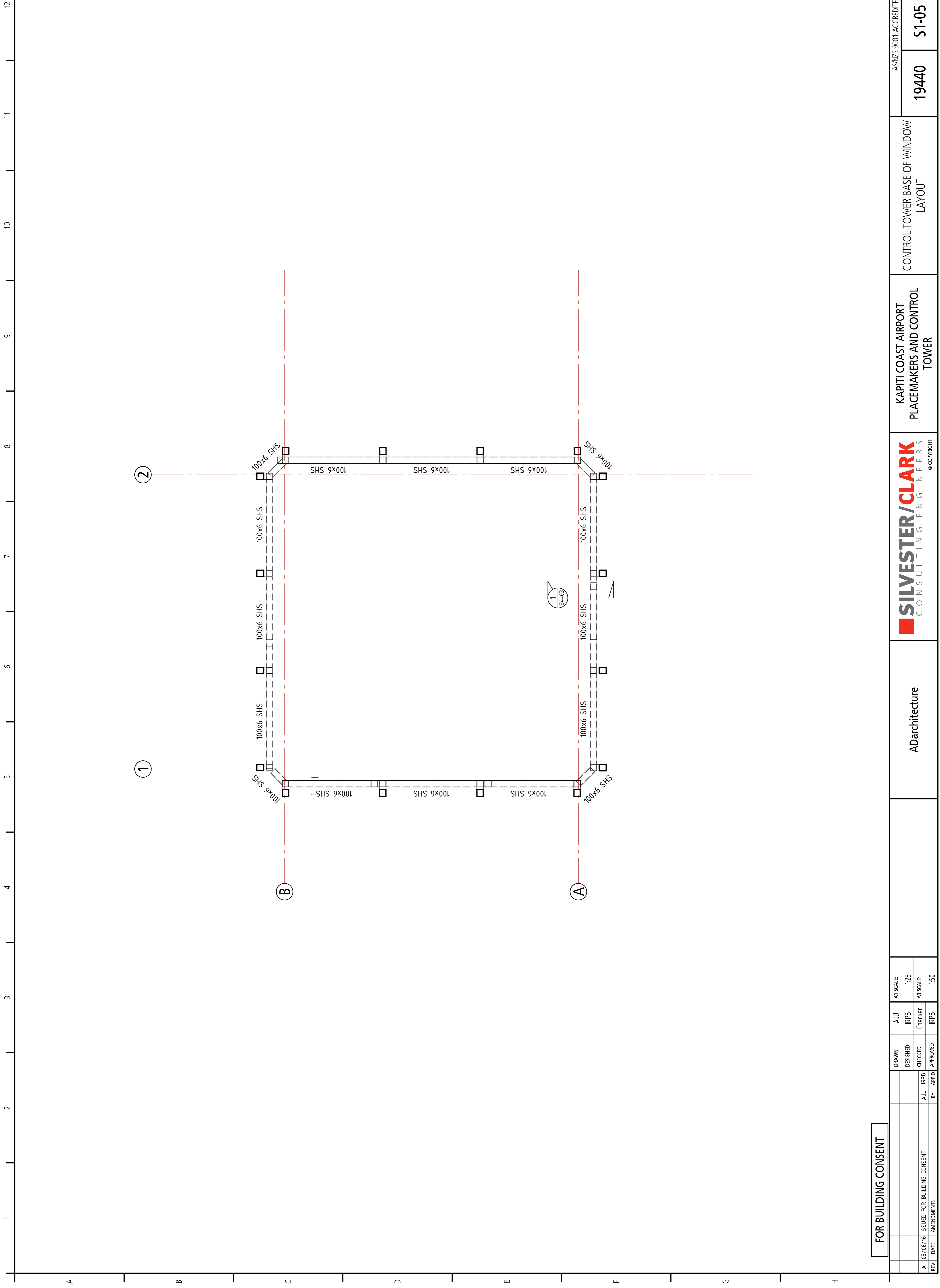
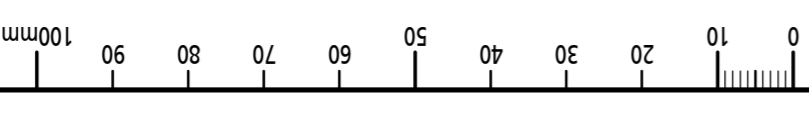


KAPITI COAST AIRPORT
PLACEMAKERS AND CONTROL
TOWER

CONTROL TOWER CABIN CONTROL
FLOOR

AS/NZS 9001 ACCREDITED
19440 S1-04 A

FOR INFORMATION ONLY



FOR BUILDING CONSENT

REV	DATE	AMENDMENTS	BY	APTD	DRAWN	AJU	A1 SCALE:
A	05/08/16	ISSUED FOR BUILDING CONSENT	AJU	IRPB	DESIGNED	IRPB	1/25
				CHECKED	CHECKED		A3 SCALE:
				APPROVED	APPROVED	IRPB	1/50

ADarchitecture



**KAPITI COAST AIRPORT
 PLACEMAKERS AND CONTROL
 TOWER**

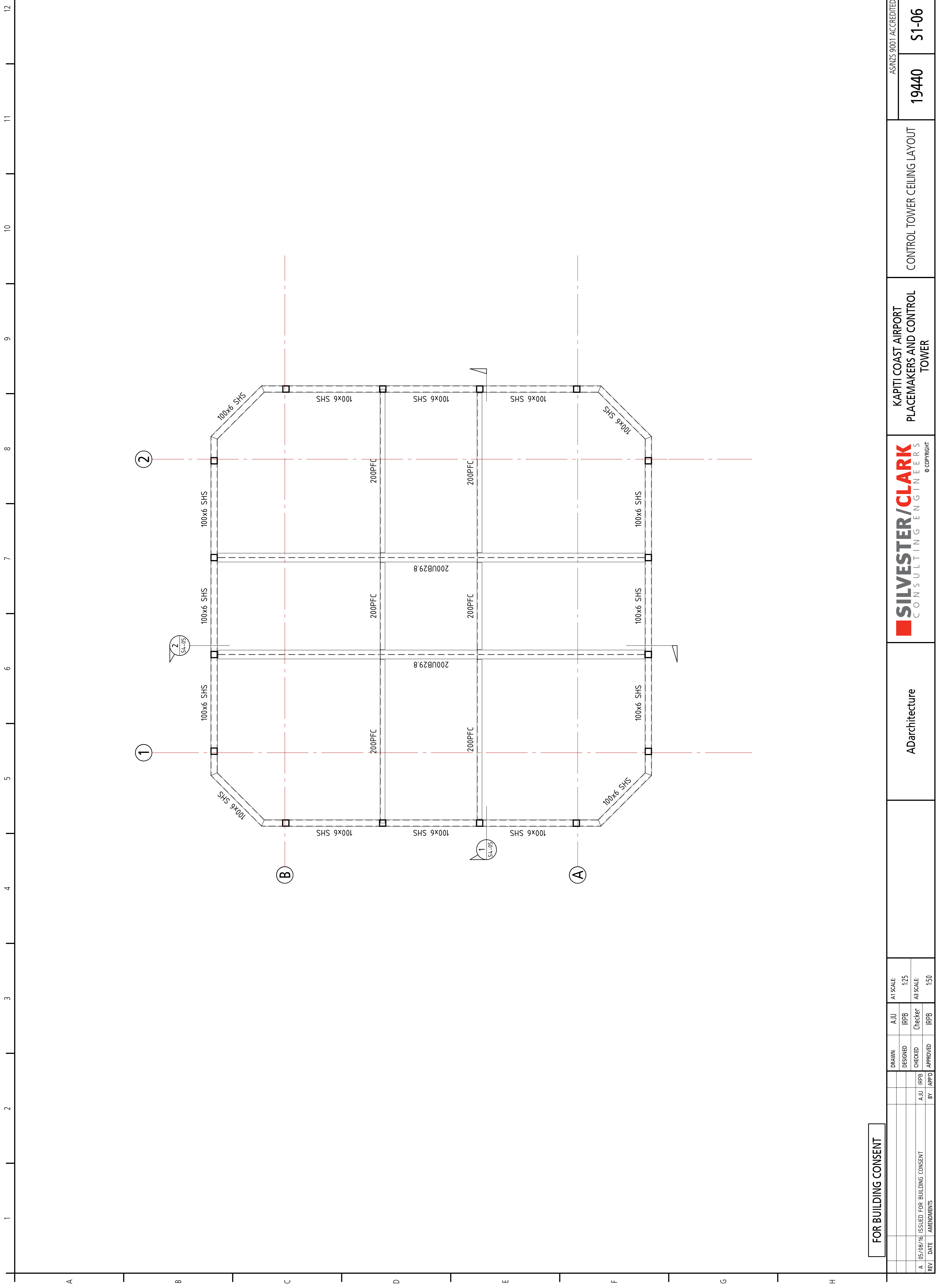
CONTROL TOWER BASE OF WINDOW LAYOUT

19440
 S1-05

A

AS/NZS 9001 ACCREDITED

FOR INFORMATION ONLY



FOR BUILDING CONSENT

REV	DATE	AMENDMENTS
A	05/08/16	ISSUED FOR BUILDING CONSENT

DRAWN	AJU	A1 SCALE:
DESIGNED	IRPB	1/25
CHECKED	Checker	A3 SCALE:
APPROVED	IRPB	1/50

BY	APTD
AJU	IRPB

AD	IRPB
----	------

AD	IRPB
----	------

ADarchitecture



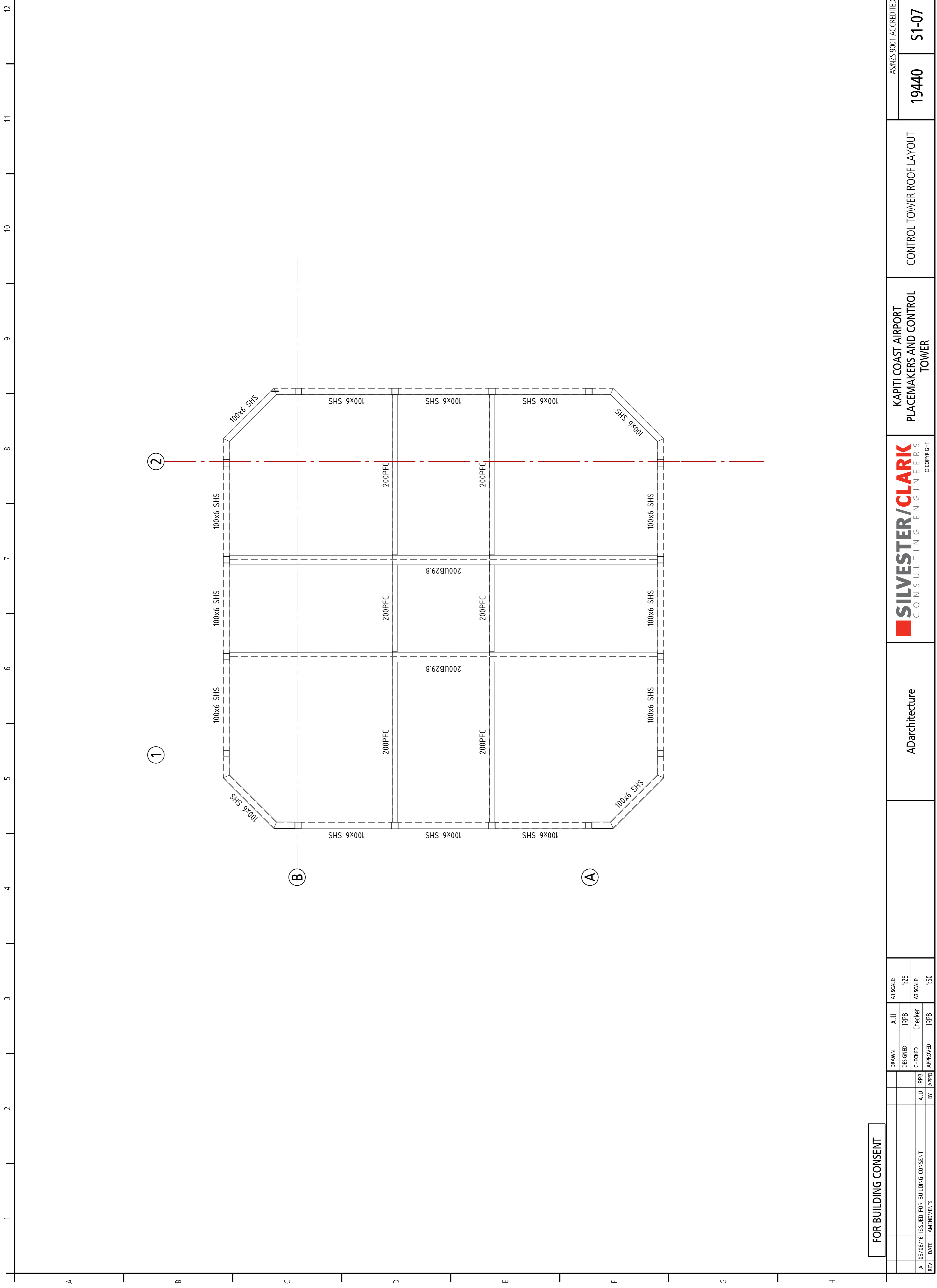
KAPITI COAST AIRPORT
PLACEMAKERS AND CONTROL
TOWER

CONTROL TOWER CEILING LAYOUT

19440	S1-06	A
-------	-------	---

AS/NZS 9001 ACCREDITED

FOR INFORMATION ONLY



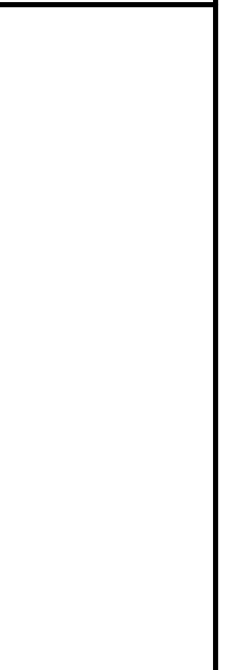
FOR BUILDING CONSENT

REV	DATE	AMENDMENTS
A	05/08/16	ISSUED FOR BUILDING CONSENT

BY	APTD
AJU	IRPB
CHECKED	APPROVED

DRAWN	AJU	A1 SCALE:
DESIGNED	IRPB	1/25
CHECKED	Checker	A3 SCALE:
APPROVED	IRPB	1/50

ADarchitecture



KAPITI COAST AIRPORT
PLACEMAKERS AND CONTROL
TOWER

CONTROL TOWER ROOF LAYOUT

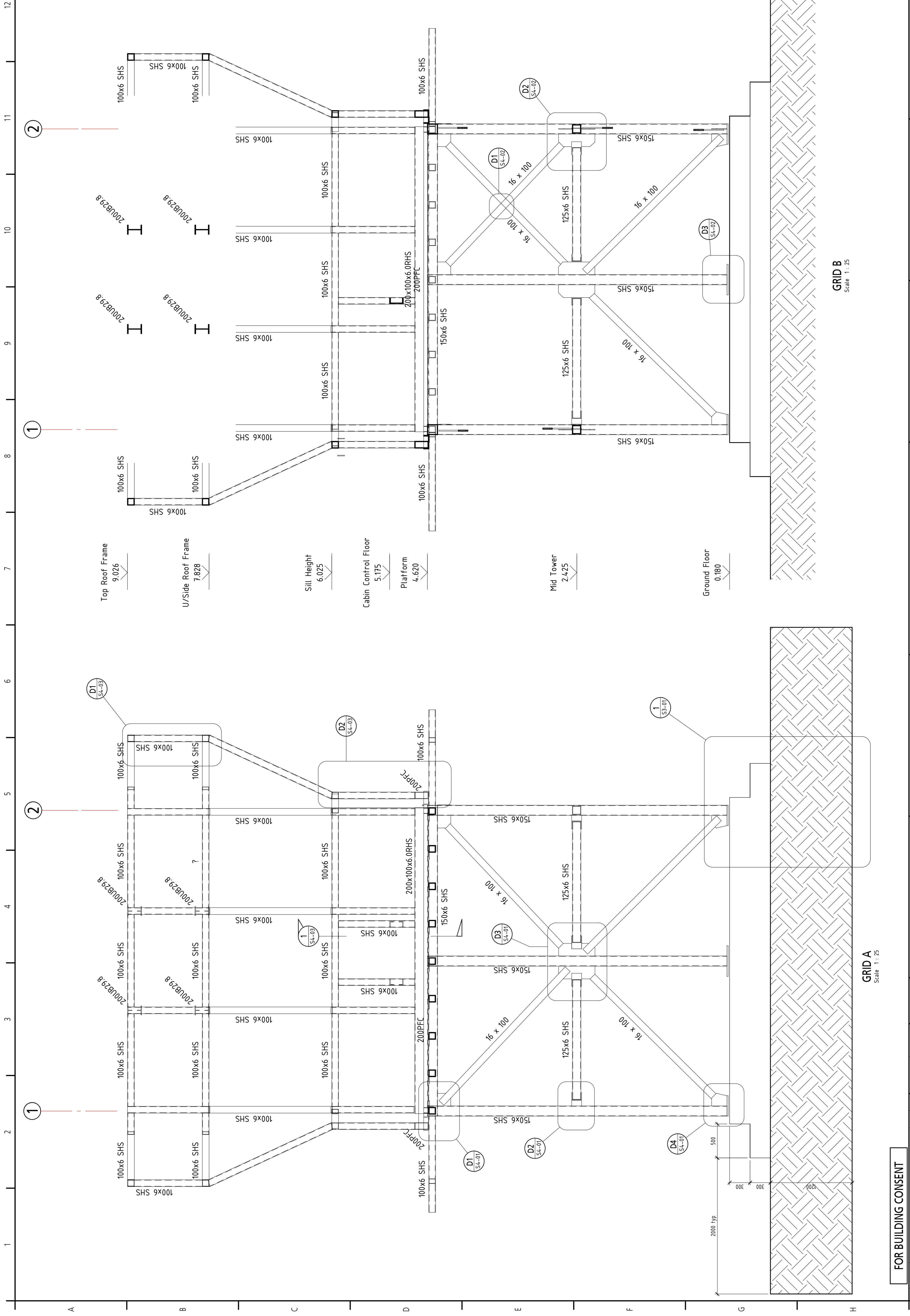
19440

S1-07

A

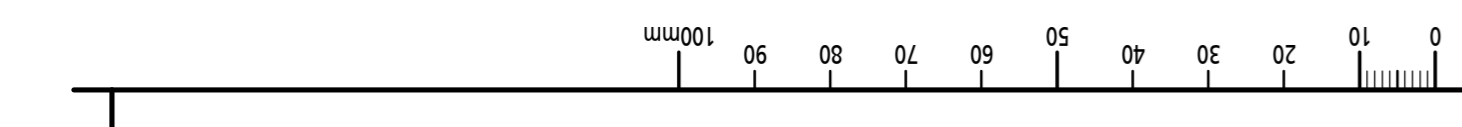
AS/NZS 9001 ACCREDITED

FOR INFORMATION ONLY



GRID B
Scale 1: 25

GRID A
Scale 1: 25



FOR BUILDING CONSENT

REV	DATE	AMENDMENTS	BY	APPD	APPROVED	IRPB	1:50
A	05/08/16	ISSUED FOR BUILDING CONSENT	AJU	IRPB	Checked	IRPB	1:25
					DESIGNED	IRPB	1:25
					DRAWN	AJU	A1 SCALE:

Architecture



KAPITI COAST AIRPORT
PLACEMAKERS AND CONTROL
TOWER

CONTROL TOWER - GRIDS A & B

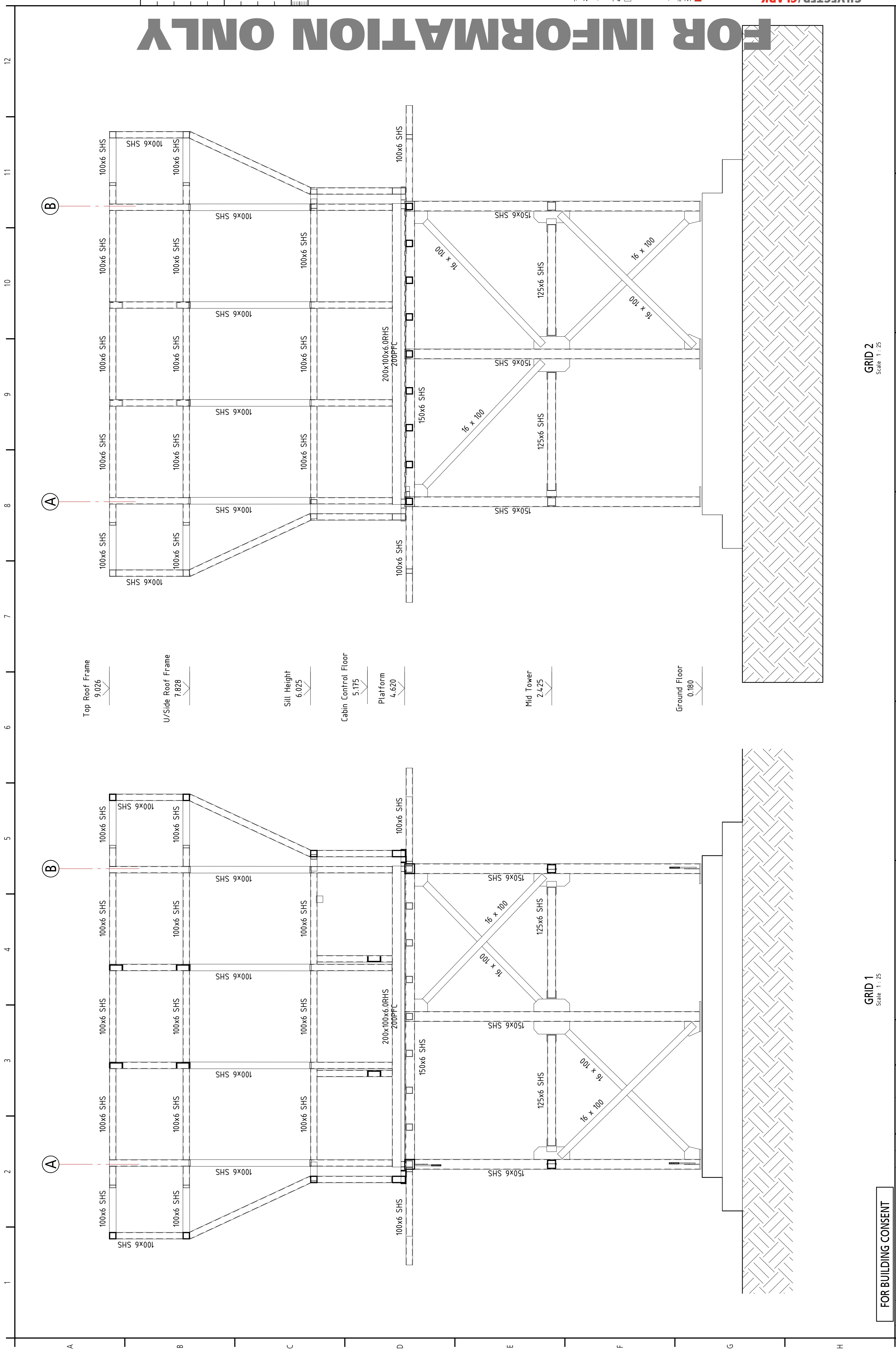
19440

S2-01

A

AS/NZS 9001 ACCREDITED

FOR INFORMATION ONLY



- Top Roof Frame 9.026
- U/Side Roof Frame 7.828
- Sill Height 6.025
- Cabin Control Floor 5.175
- Platform 4.620
- Mid Tower 2.425
- Ground Floor 0.180

GRID 2
Scale 1:25

GRID 1
Scale 1:25

FOR BUILDING CONSENT

REV	DATE	AMENDMENTS	BY	APPD	APPROVED
A	05/08/16	ISSUED FOR BUILDING CONSENT	AJU	IRPB	IRPB

DRAWN	AJU	A1 SCALE
DESIGNED	IRPB	1:25
CHECKED	Checker	A3 SCALE
APPROVED	IRPB	1:50

ADarchitecture



KAPITI COAST AIRPORT
PLACEMAKERS AND CONTROL
TOWER

CONTROL TOWER - GRIDS 1 & 2

19440

S2-02

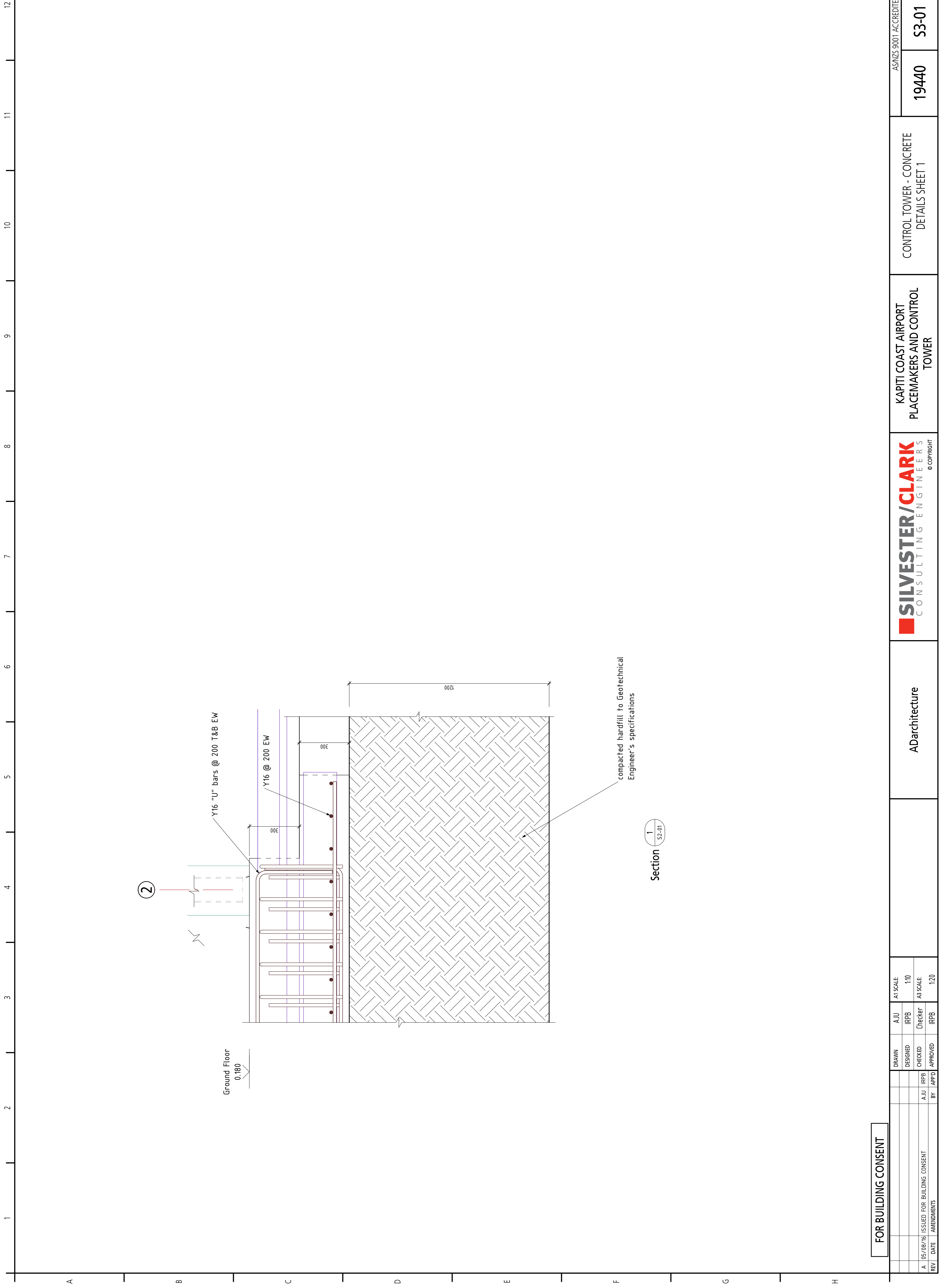
A

AS/NZS 9001 ACCREDITED

FOR INFORMATION ONLY

0 10 20 30 40 50 60 70 80 90 100mm

Palmerston North Wellington SILVESTER/CLARK



compacted hardfill to Geotechnical Engineer's specifications

Section 1 / SZ-01

FOR BUILDING CONSENT

REV	DATE	AMENDMENTS	BY	APPD
A	05/08/16	ISSUED FOR BUILDING CONSENT	AJU	IRPB

DRAWN	AJU	A1 SCALE:
DESIGNED	IRPB	1:10
CHECKED	Checker	A3 SCALE:
APPROVED	IRPB	1:20

ADarchitecture



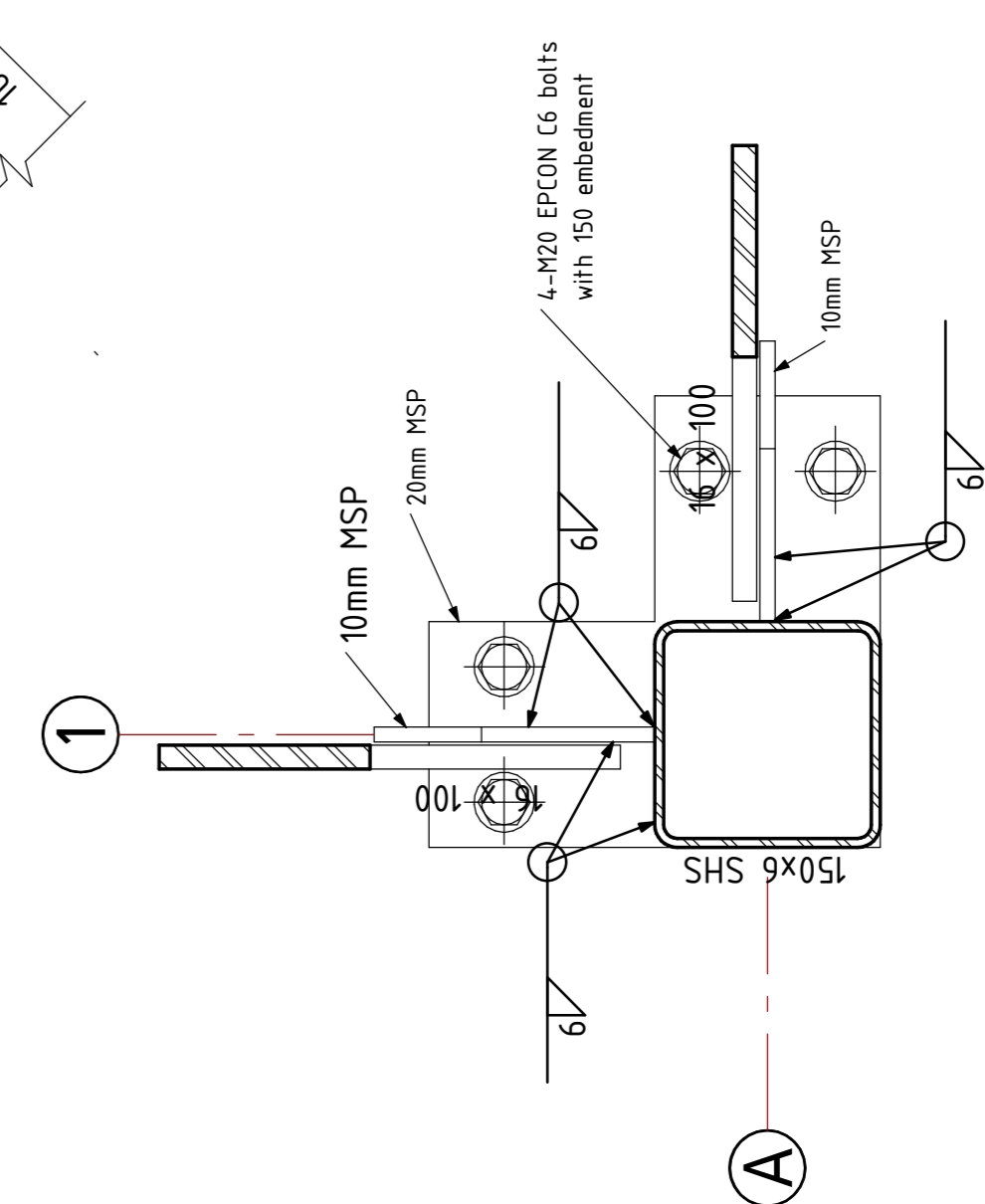
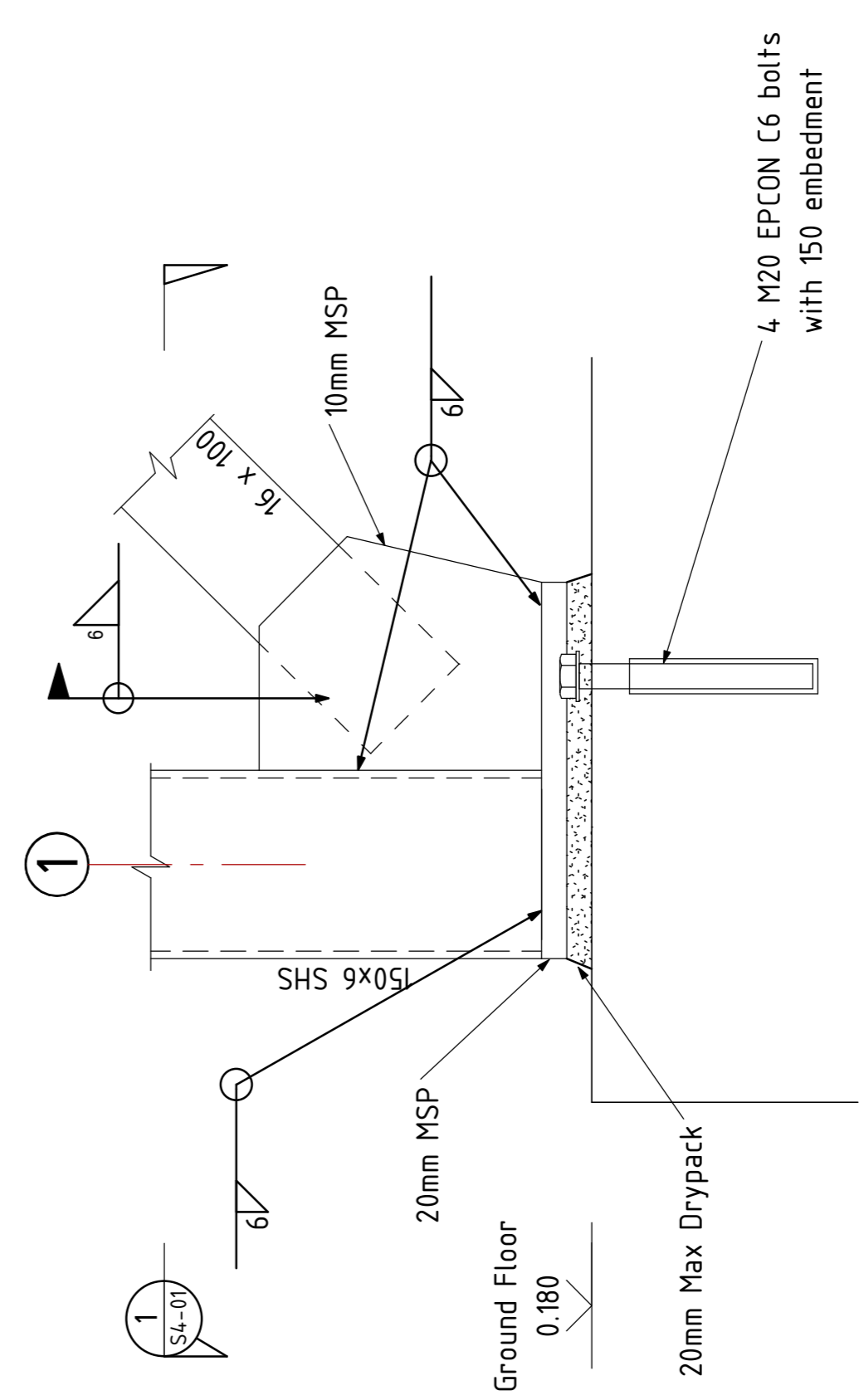
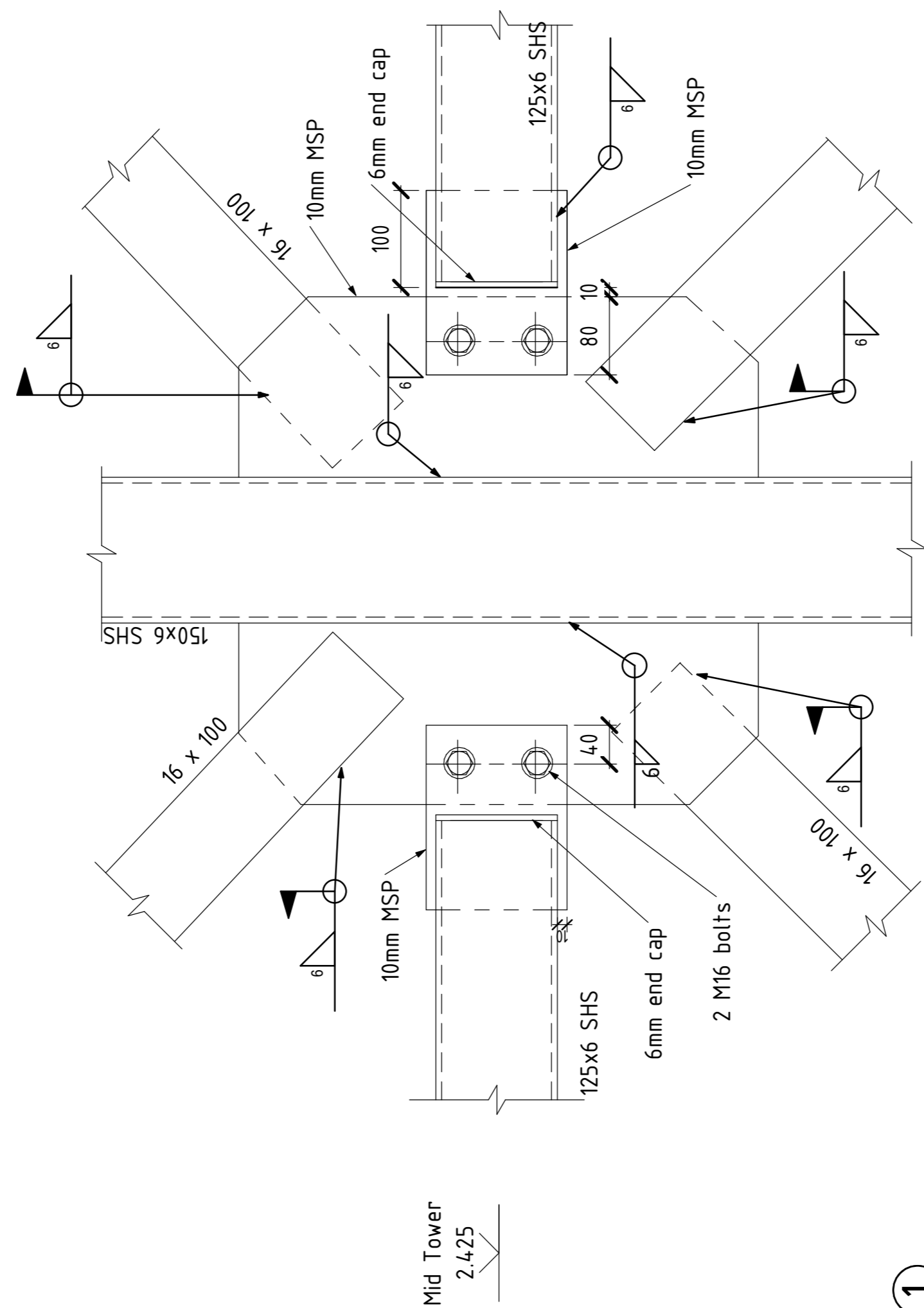
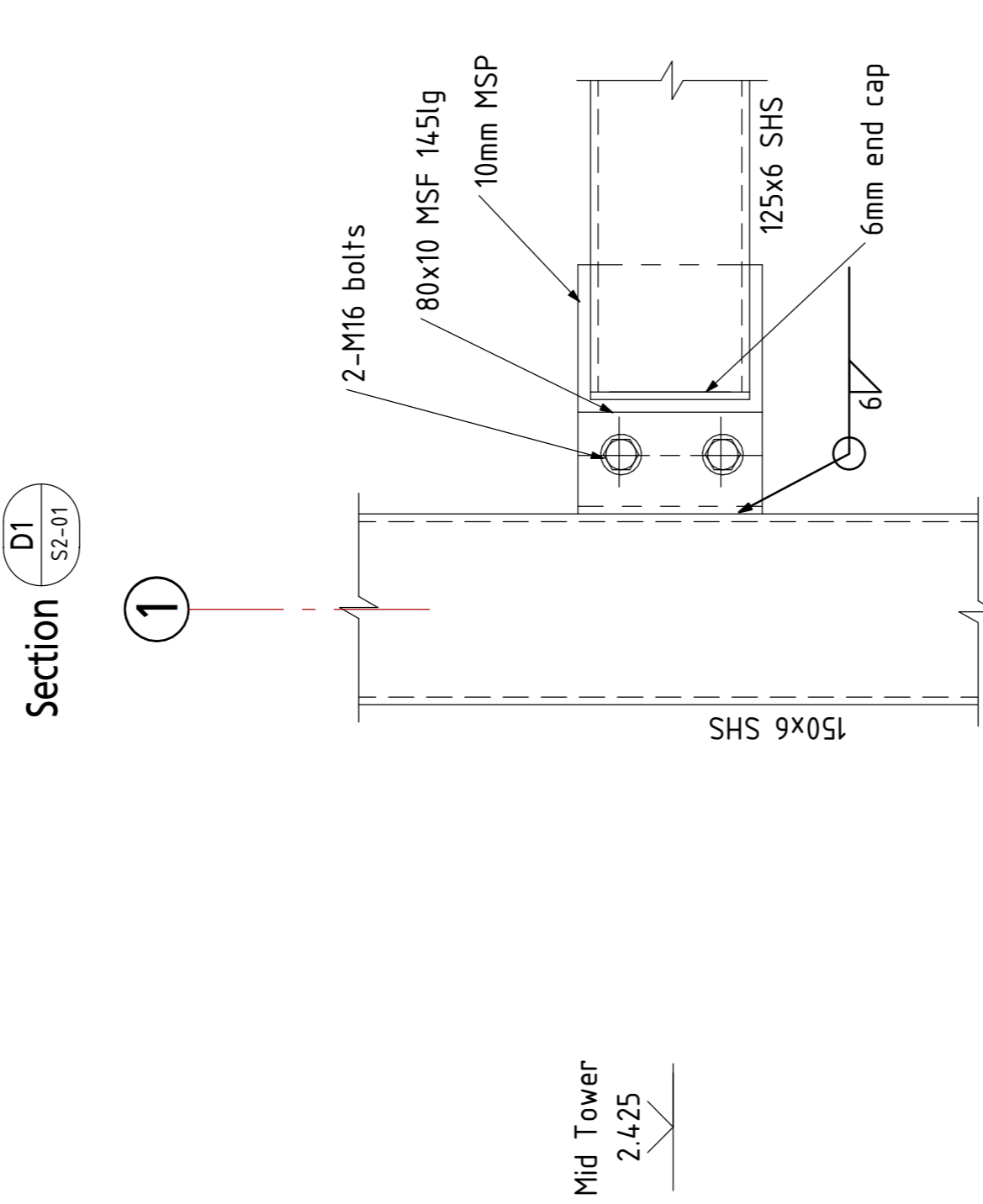
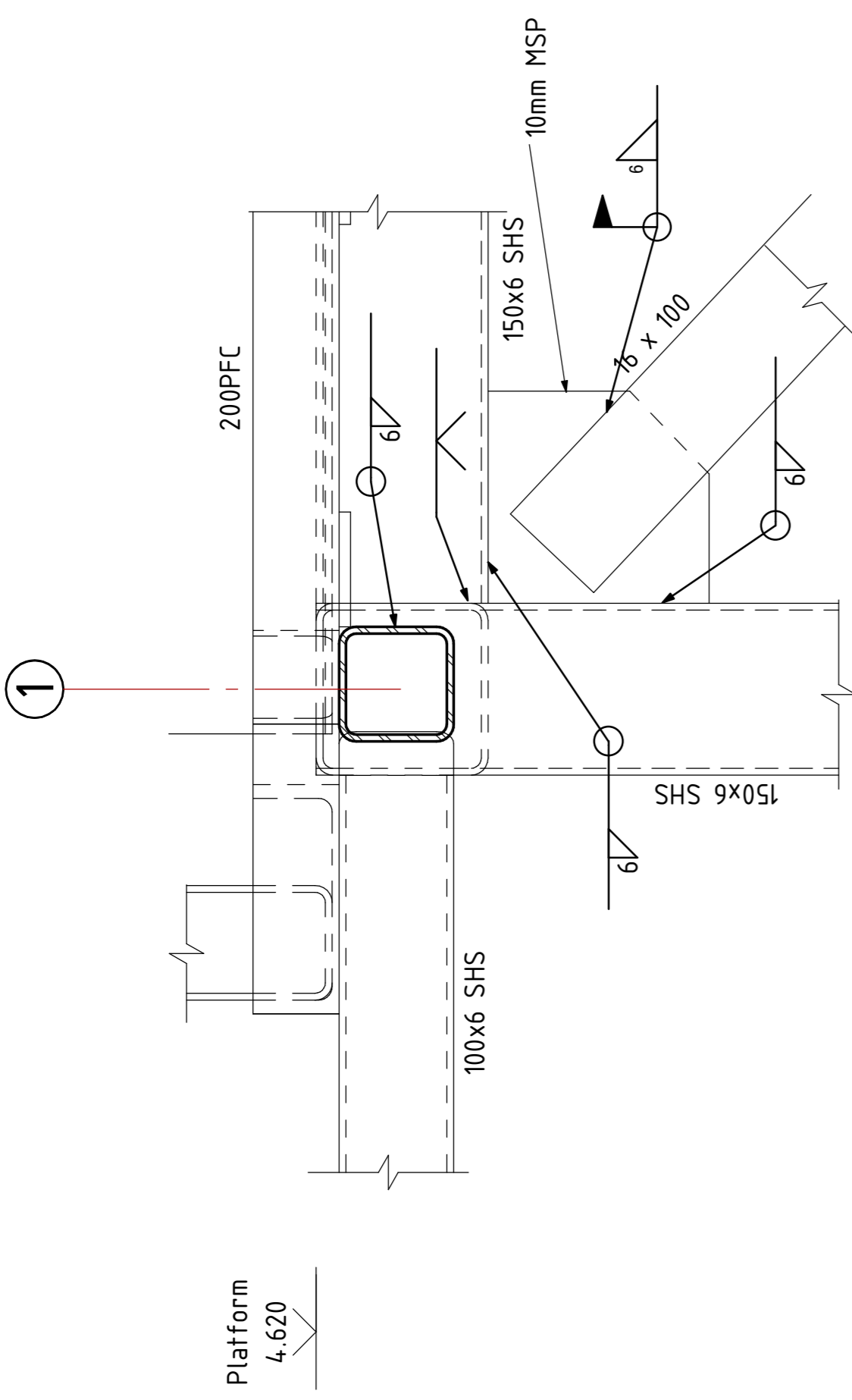
KAPITI COAST AIRPORT
PLACEMAKERS AND CONTROL
TOWER

CONTROL TOWER - CONCRETE
DETAILS SHEET 1

19440	S3-01	A
-------	-------	---

AS/NZS 9001 ACCREDITED

FOR INFORMATION ONLY



FOR BUILDING CONSENT

REV	DATE	AMENDMENTS	BY	APPD	APPROVED	CHECKED	IRPB	DESIGNED	IRPB	AJU	DRAWN	AJU	A1 SCALE:	1:5
A	05/08/16	ISSUED FOR BUILDING CONSENT											A3 SCALE:	1:10

ADarchitecture



KAPITI COAST AIRPORT
PLACEMAKERS AND CONTROL
TOWER

CONTROL TOWER - STEEL DETAILS
SHEET 1

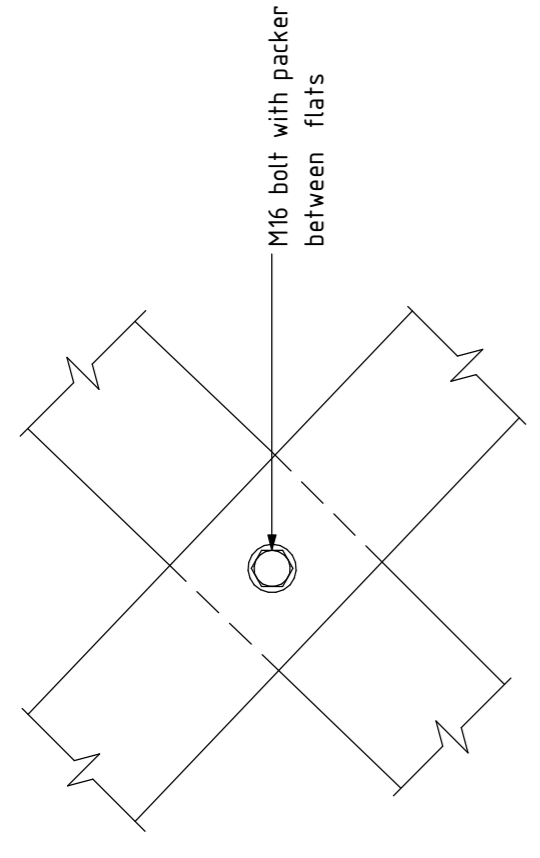
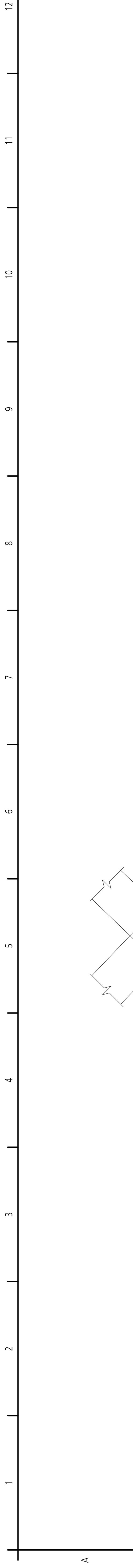
19440

S4-01

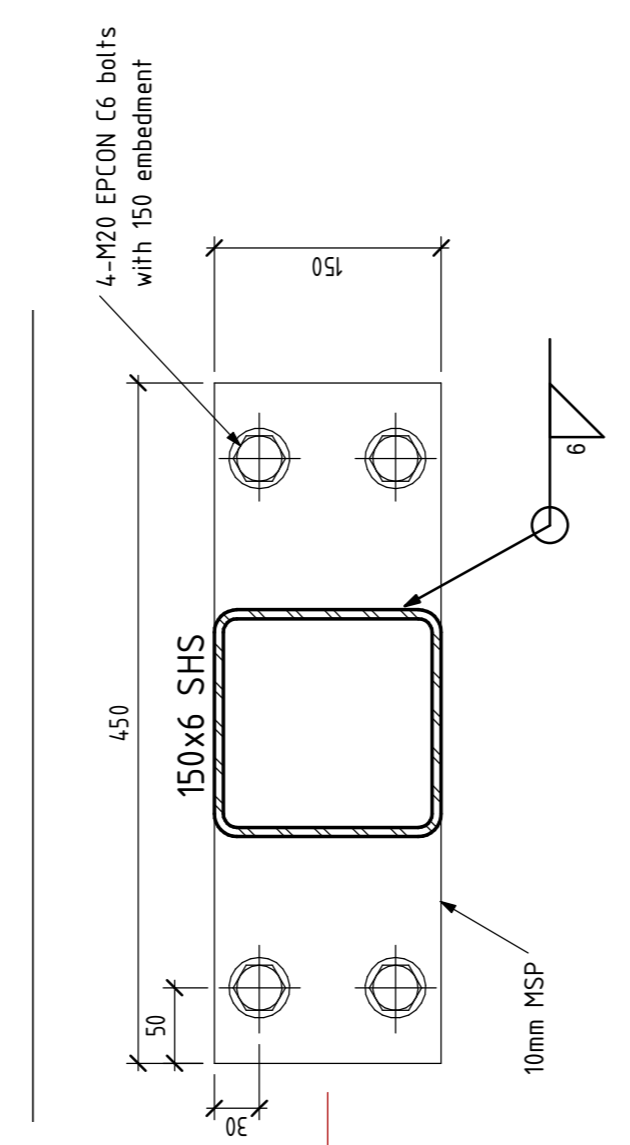
A

AS/NZS 9001 ACCREDITED

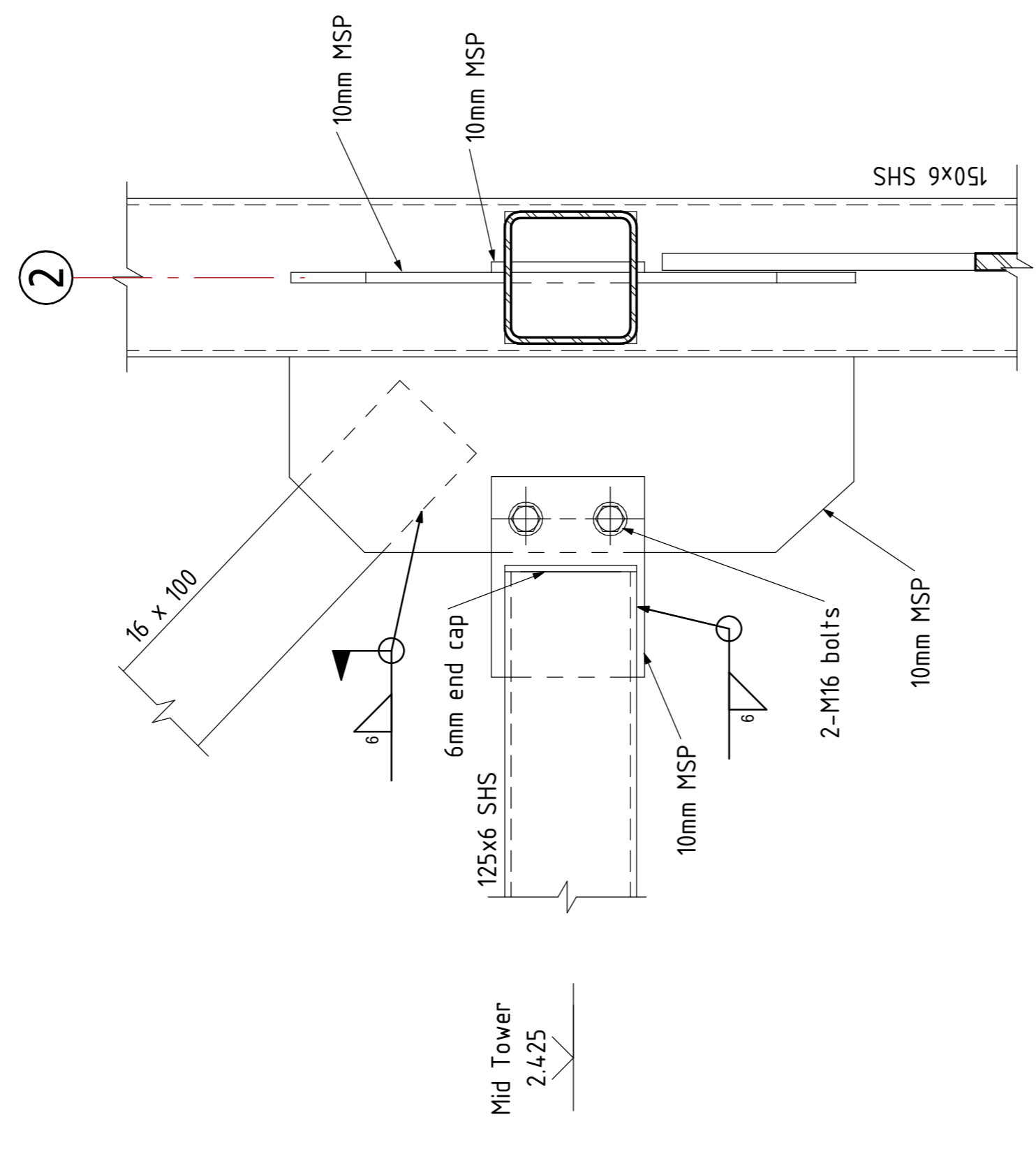
FOR INFORMATION ONLY



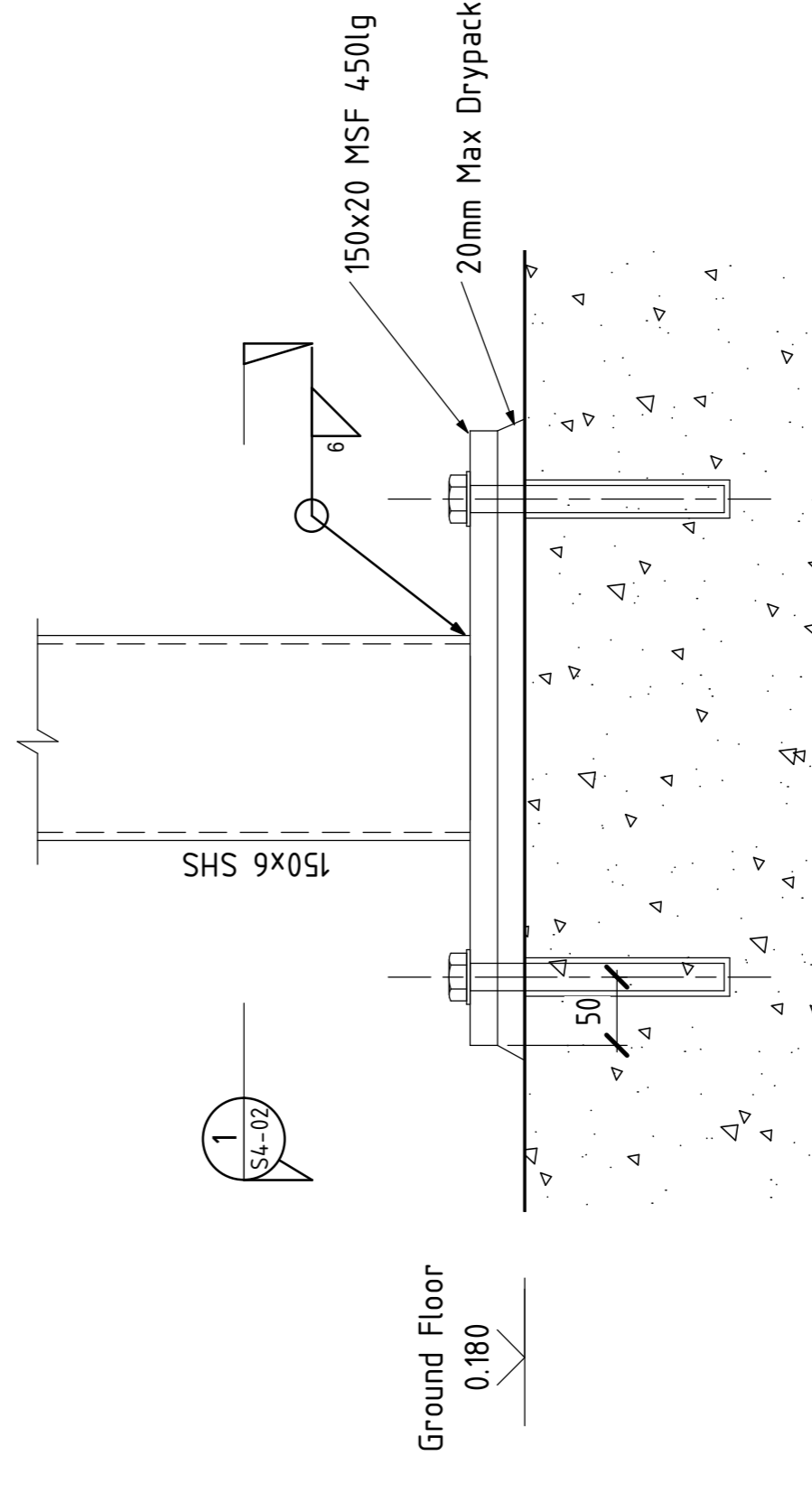
Section D1
S2-01



Section 1
S4-02



Section D2
S2-01



Section D3
S2-01

Mid Tower
2.425

FOR BUILDING CONSENT

REV	DATE	AMENDMENTS	BY	APPD	APPROVED	IRPB	1:10
A	05/08/16	ISSUED FOR BUILDING CONSENT	AJU	IRPB	CHECKED	IRPB	1:10
					DESIGNED	IRPB	1:5
					DRAWN	AJU	A1 SCALE:

ADarchitecture



KAPITI COAST AIRPORT
PLACEMAKERS AND CONTROL
TOWER

CONTROL TOWER - STEEL DETAILS
SHEET 2

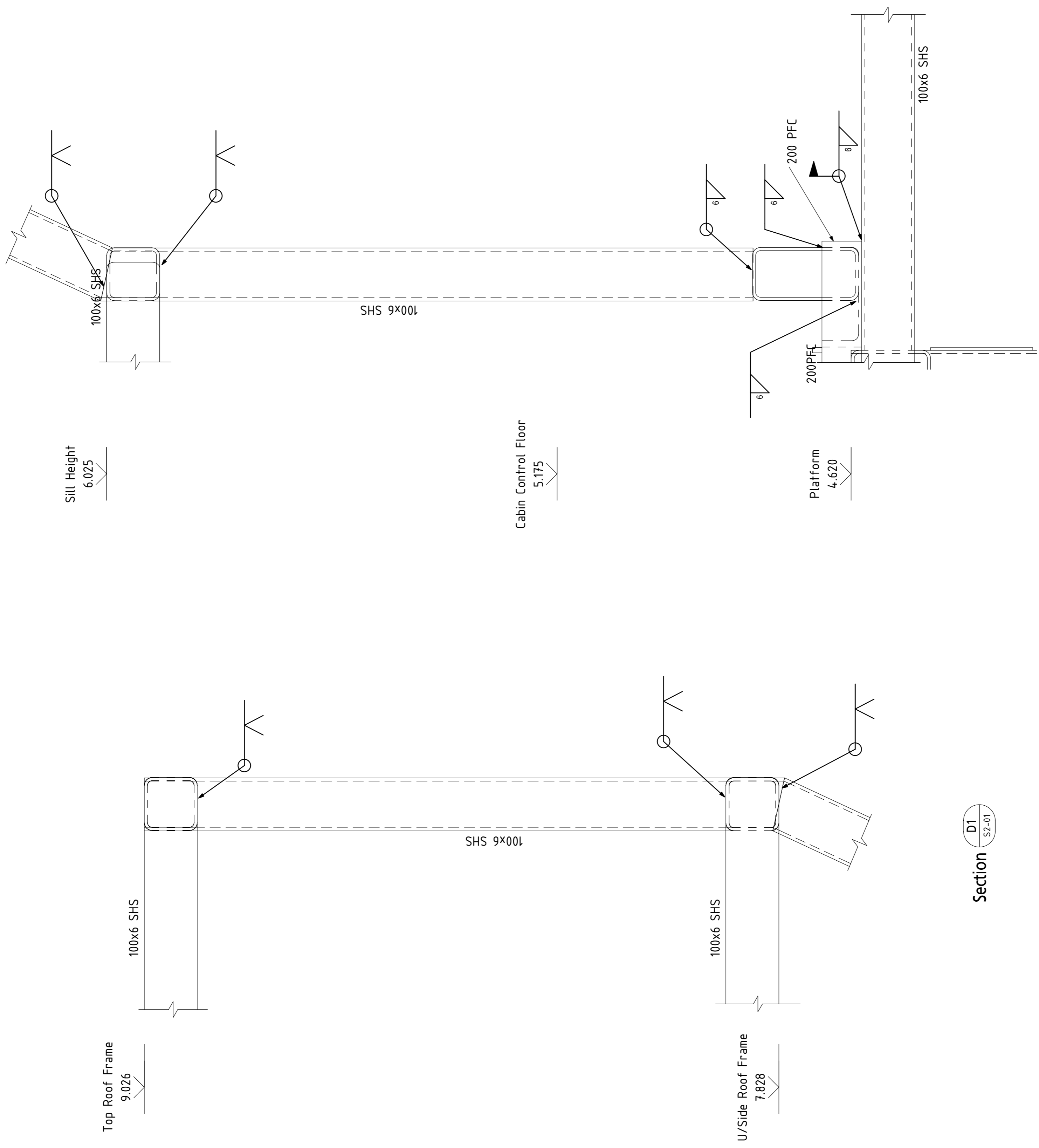
19440

S4-02

A

AS/NZS 9001 ACCREDITED

FOR INFORMATION ONLY



Section 1
S1-04

Section D2
S2-01

Section D1
S2-01

FOR BUILDING CONSENT

REV	DATE	AMENDMENTS	BY	APPD	APPROVED	CHECKED	IRPB	DESIGNED	IRPB	AJU	A1 SCALE:	1:5
A	05/08/16	ISSUED FOR BUILDING CONSENT	AJU	IRPB	APPROVED	CHECKED	IRPB	DESIGNED	IRPB	AJU	A3 SCALE:	1:10

ADarchitecture	
----------------	--



KAPITI COAST AIRPORT
PLACEMAKERS AND CONTROL
TOWER

CONTROL TOWER - STEEL DETAILS
SHEET 3

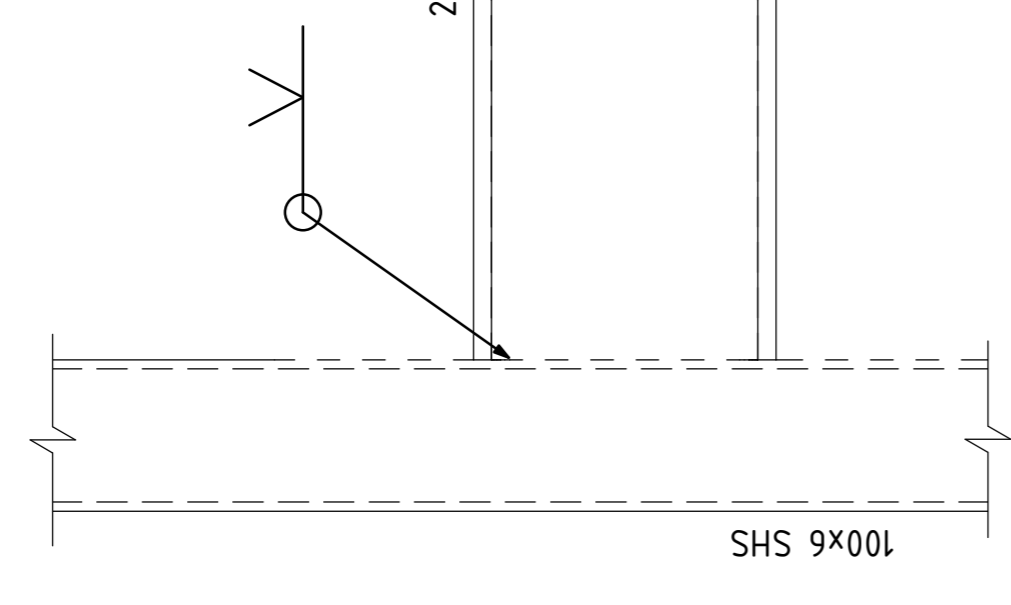
19440	S4-03	A
-------	-------	---

AS/NZS 9001 ACCREDITED

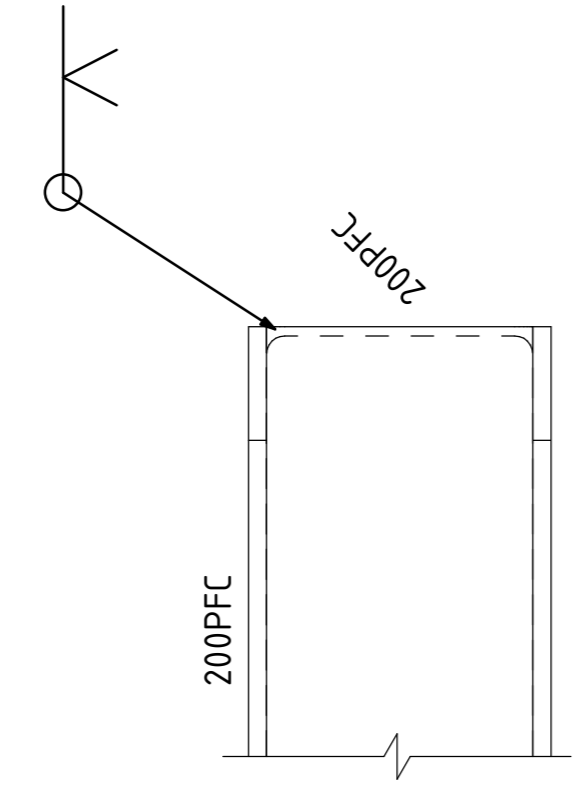
FOR INFORMATION ONLY

1 2 3 4 5 6 7 8 9 10 11 12

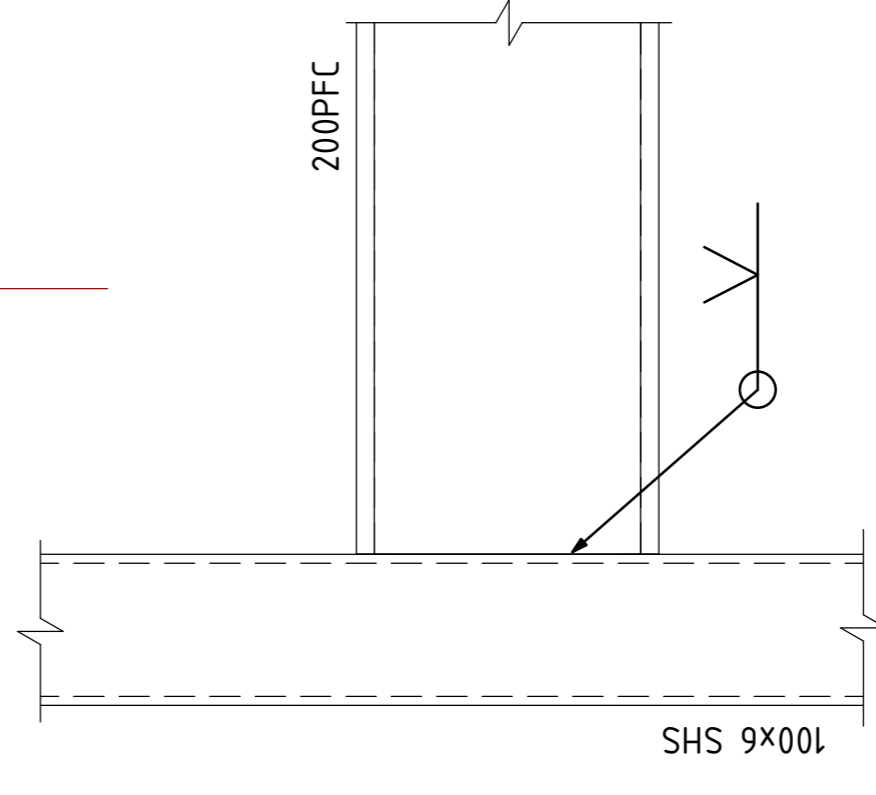
1



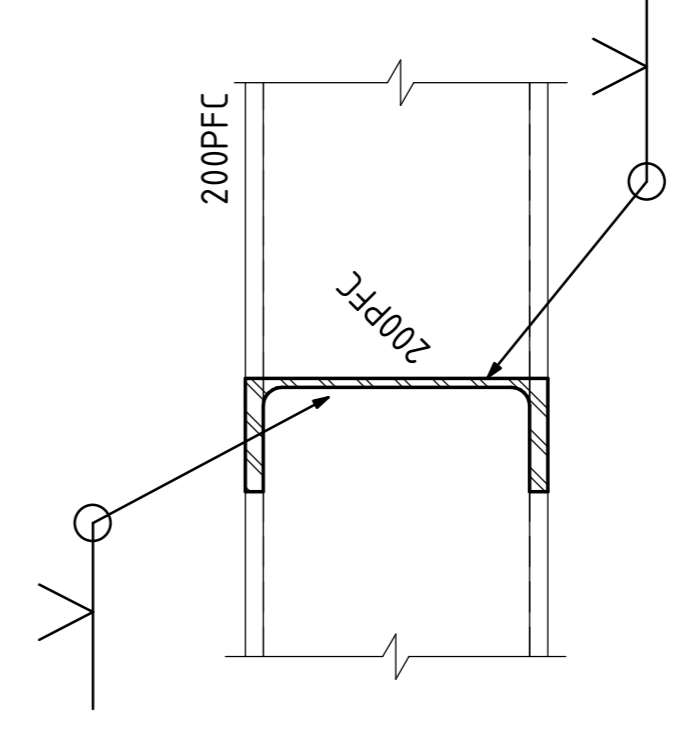
Section 1
ST-04



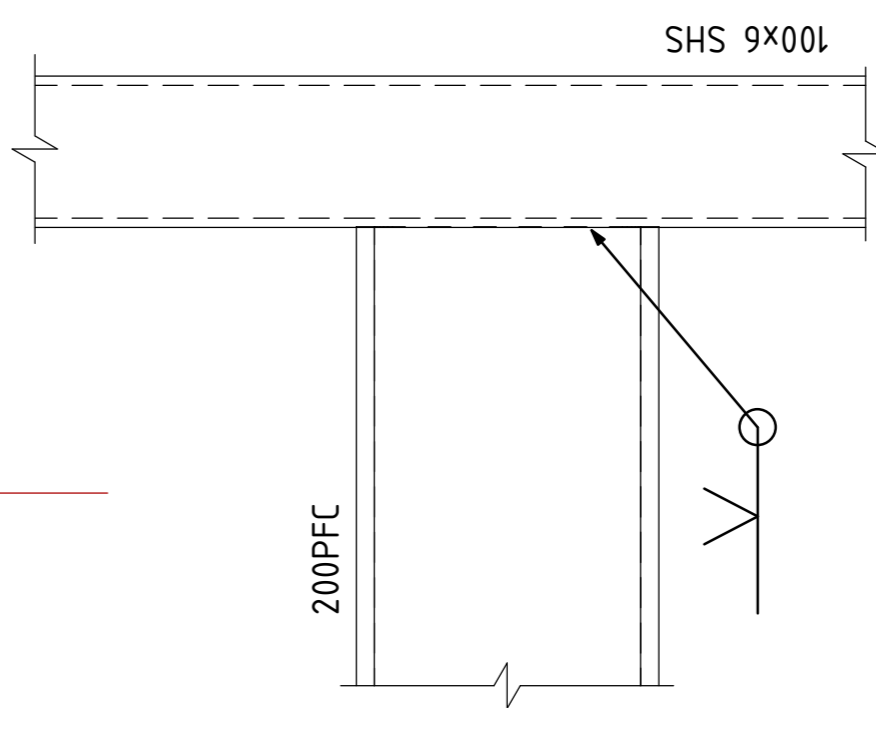
A



Section 2
ST-04



B



FOR BUILDING CONSENT

REV	DATE	AMENDMENTS	BY	APTD
A	05/08/16	ISSUED FOR BUILDING CONSENT	AJU	IRPB

DRAWN	AJU	A1 SCALE:
DESIGNED	IRPB	1:5
CHECKED	Checker	A3 SCALE:
APPROVED	IRPB	1:10

ADarchitecture

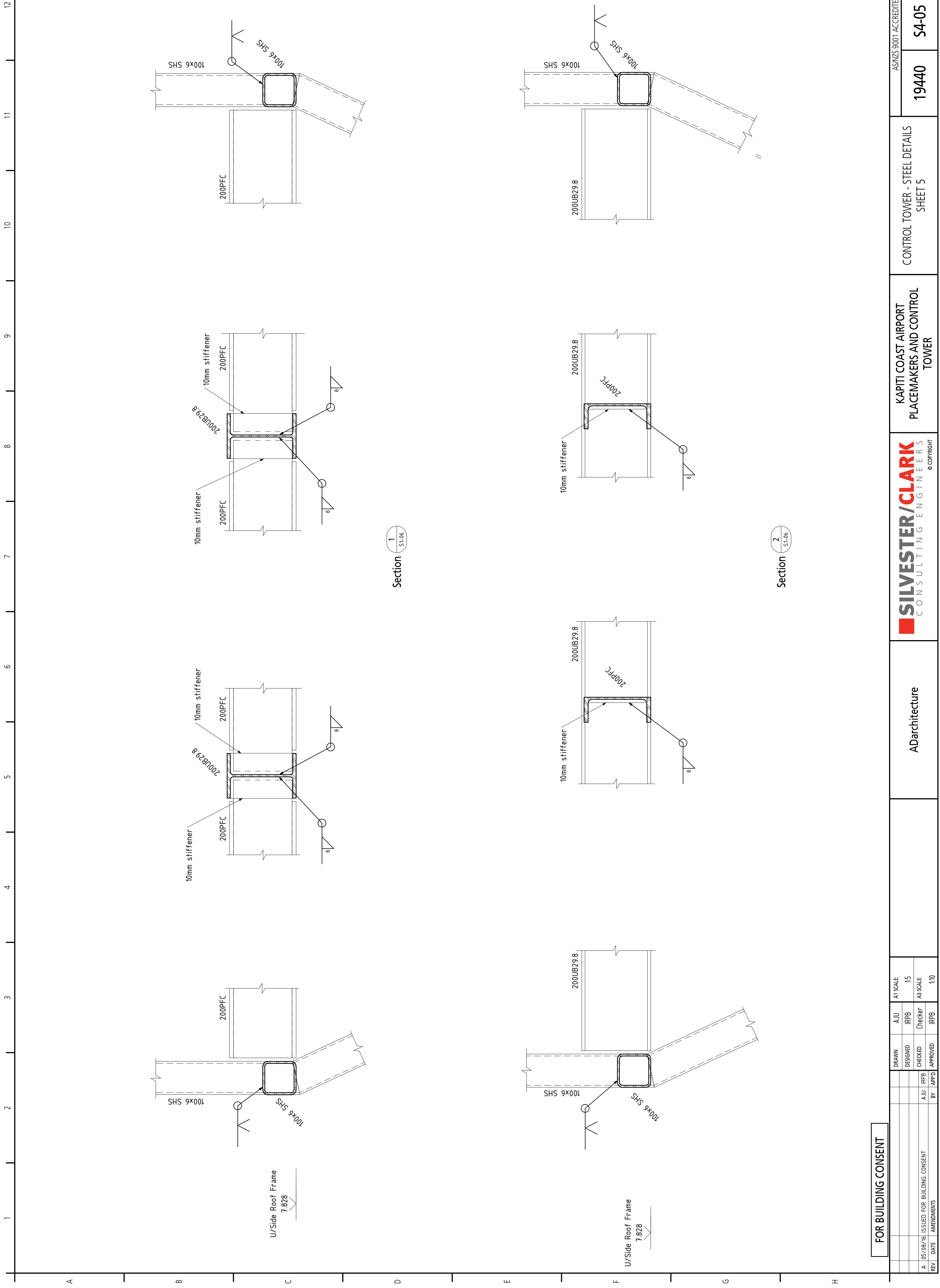
SILVESTER/CLARK
CONSULTING ENGINEERS
© COPYRIGHT

KAPITI COAST AIRPORT
PLACEMAKERS AND CONTROL
TOWER

CONTROL TOWER - STEEL DETAILS
SHEET 4

19440 S4-04 A

FOR INFORMATION ONLY



Section 1
S1-06

Section 2
S2-06

FOR BUILDING CONSENT

REV	DATE	AMENDMENTS	BY	APPD	CHECKED	APPROVED
A	05/08/16	ISSUED FOR BUILDING CONSENT	AJU	IRPB	IRPB	IRPB

DRAWN	AJU	A1 SCALE:
DESIGNED	IRPB	1:5
CHECKED	Checker	A3 SCALE:
APPROVED	IRPB	1:10

ADarchitecture

SILVESTER/CLARK
CONSULTING ENGINEERS
© COPYRIGHT

KAPITI COAST AIRPORT
PLACEMAKERS AND CONTROL
TOWER

CONTROL TOWER - STEEL DETAILS
SHEET 5

19440 S4-05 A